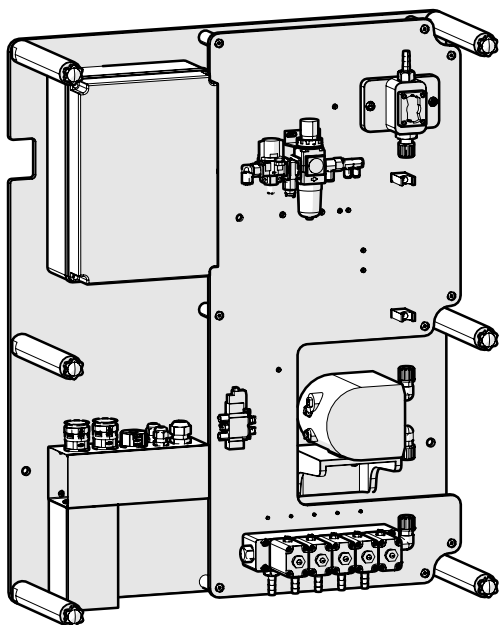




## EXPANSION CHANNEL (PNEUMATIC)

TO EXPAND THE CONFIGURATION OF YOUR MULTIPLEX SYSTEM

PRODUCT DATA SHEET



### Description

Introducing our innovative Industrial Laundry Expansion Channel, designed to integrate seamlessly with our Multiplex 1 Pro, Multiplex 2 or Multiplex 2 Pro distribution units, revolutionising your laundry operations.

### Key Features:

**Pneumatic Valve Integration:** The expansion channel is equipped with advanced pneumatic valves, providing reliable and precise control over the flow of water and detergents. This ensures optimal performance and efficient utilisation of resources in your laundry operations.

**Enhanced Configuration Options:** 1+1, 2+1 and 4+1 configurations provide tailored solutions for different laundry requirements.

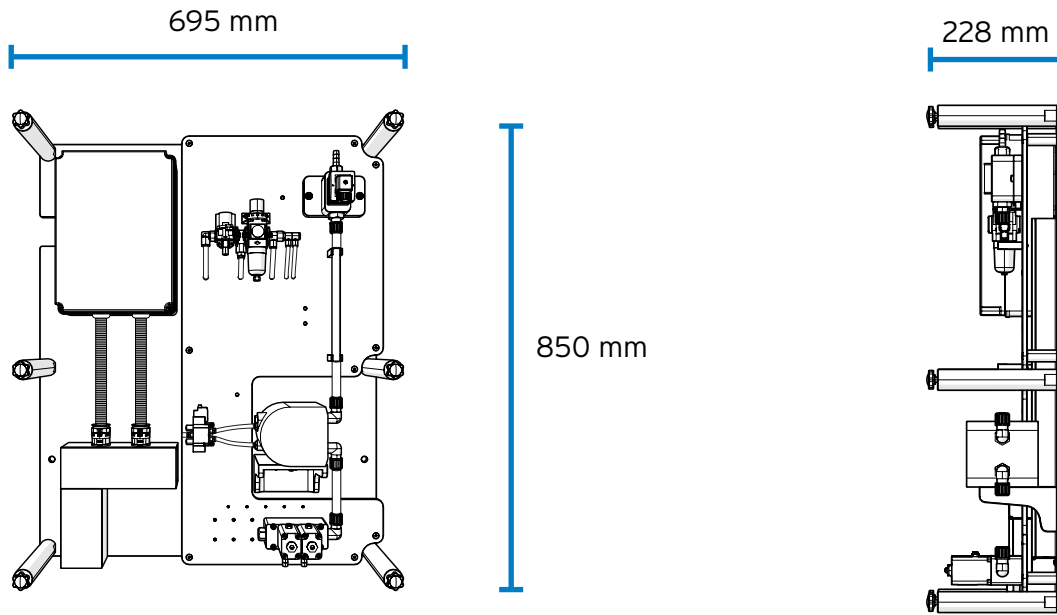
## Technical Specifications

		Value
CONFIGURATION	Number of products	1
		2
		4
ELECTRIC PARAMETERS	Voltage	24 VDC
	Power	120W
AIR	Working pressure	4 bar
	Air intake	10 mm
	Average consumption	140 l/m
	Air entrainment	Optional
	Condensation filter	Integrated
PANELS	Material	PVC

# Technical Specifications

		Value
PUMPS	Number	1 pump per channel. Main channel: Pneumatic double diaphragm pump
	Flow rate (with water)	5 litres/minute
	Body	PVDF
	Membranes	PTFE
	Non-return valves	PVDF/FFKM
PRODUCT/WATER VALVES	Voltage	24 VDC
	Air tube	4mm
	Body	PVDF
	Closure piston	PTFE
	O-rings	FKM
FLOW METERS	Standard measuring principle	Paddles + Hall effect sensor
	Signal	24 VDC PNP
	Body	PP
	Paddles	PVDF
	O-rings	FKM
	Alternative	*Oval gear not included. Supplied on request. Recommended with chemicals 180cP or higher.
CALIBRATION	Mode	Via distributor
	Measuring vase	Not included * recommend

# Diagram

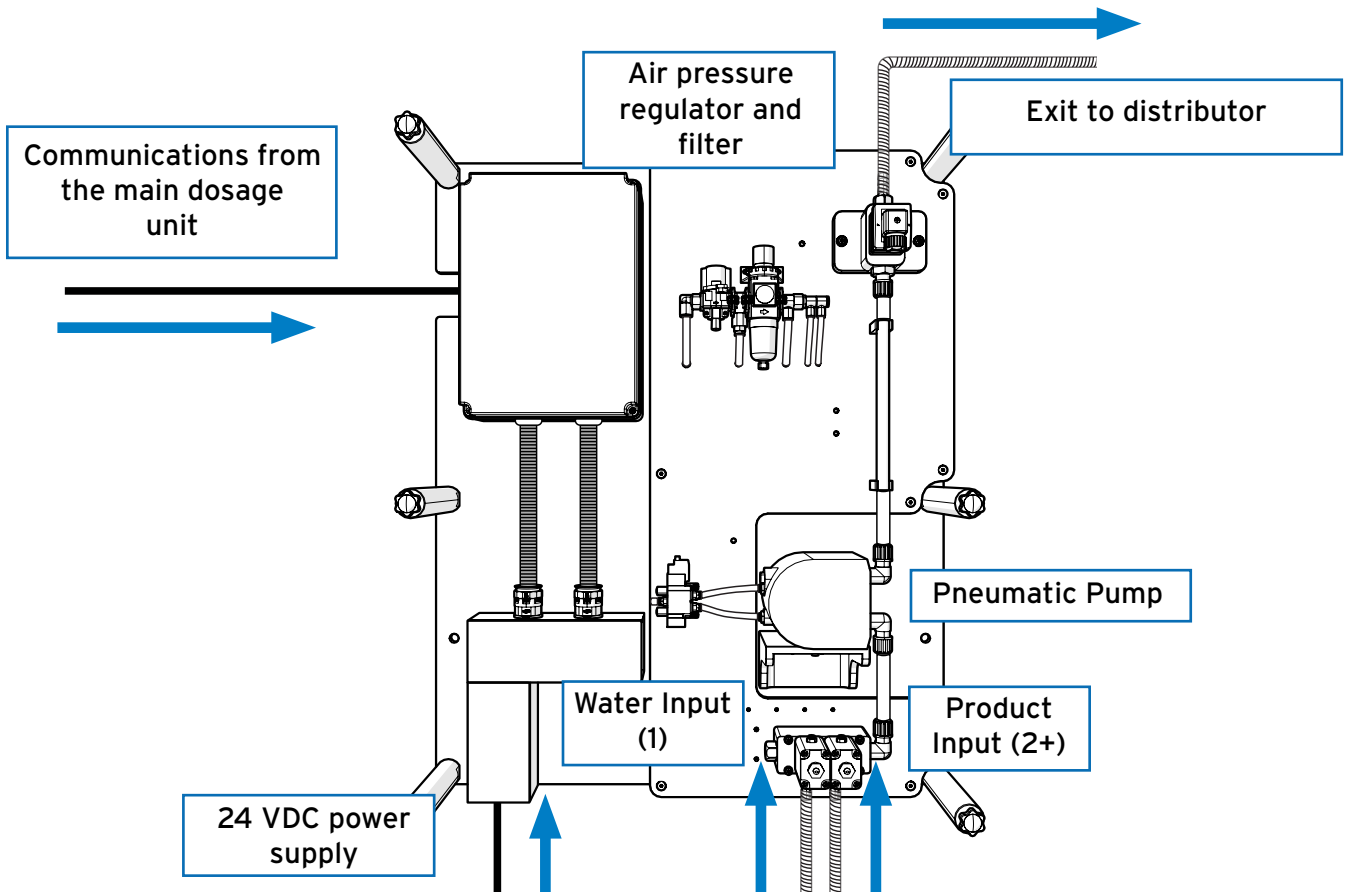


## Dimensions

Width	695 mm
Height	850 mm
Depth	228 mm

## Weight

Unit	18.60 kg (approx)
------	-------------------



T +44 (0) 1273 513566 E sales@brightwell.co.uk W brightwell.co.uk

Brightwell Dosing Ltd Unit 1, Rich Industrial Estate, Avis Way, Newhaven, East Sussex, BN9 0DU

All information in this data sheet is correct at the time of printing and is subject to change without notice.