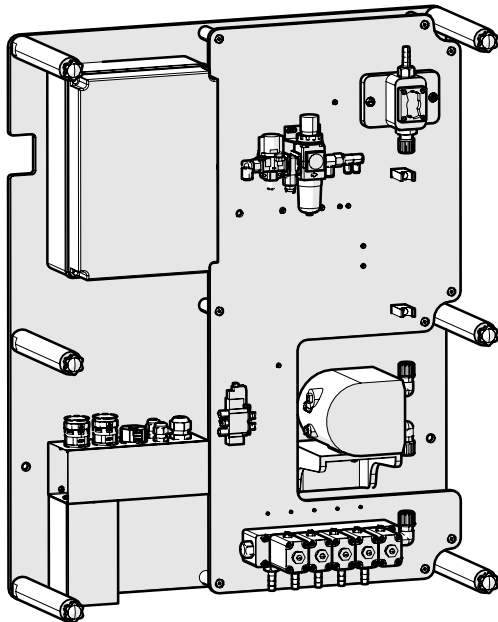




EXPANSION CHANNEL (PNEUMATIC)

TO EXPAND THE CONFIGURATION OF YOUR MULTIPLEX SYSTEM

PRODUCT DATA SHEET



Description

Introducing our innovative Industrial Laundry Expansion Channel, designed to integrate seamlessly with our Multiplex 1 Pro, Multiplex 2 or Multiplex 2 Pro distribution units, revolutionising your laundry operations.

Key Features:

Pneumatic Valve Integration: The expansion channel is equipped with advanced pneumatic valves, providing reliable and precise control over the flow of water and detergents. This ensures optimal performance and efficient utilisation of resources in your laundry operations.

Enhanced Configuration Options: 1+1, 2+1 and 4+1 configurations provide tailored solutions for different laundry requirements.

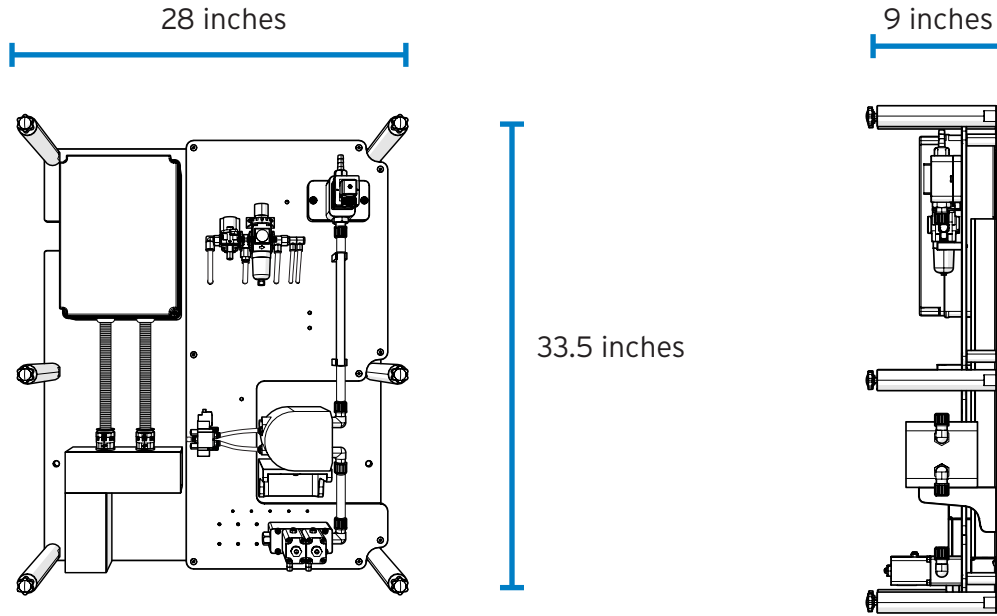
Technical Specifications

	Características	Value
CONFIGURATION	Number of products	1
		2
		4
ELECTRIC PARAMETERS	Voltage	24 VDC
	Power	120W
AIR	Working pressure	58 PSI
	Air intake	3/8" barbed connector
	Average consumption	5 cubic feet per minute (CFM)
	Air entrainment	Optional
	Condensation filter	Integrated
PANELS	Material	PVC

Technical Specifications

	Características	Value
PUMPS	Number	1 pump per channel. Main channel: Pneumatic double diaphragm pump
	Flow rate (with water)	169 fl oz per min
	Body	PVDF
	Membranes	PTFE
	Non-return valves	PVDF/FFKM
PRODUCT/WATER VALVES	Voltage	24 VDC
	Air tube	0.16 in
	Body	PVDF
	Closure piston	PTFE
	O-rings	FKM
FLOW METERS	Standard measuring principle	Paddles + Hall effect sensor
	Signal	24 VDC PNP
	Body	PP
	Paddles	PVDF
	O-rings	FKM
	Alternative	*Oval Gear not included. Supplied on request. Recommended with chemicals 180cP and above.
CALIBRATION	Mode	Via distributor
	Measuring vase	Not included * recommend

Diagram

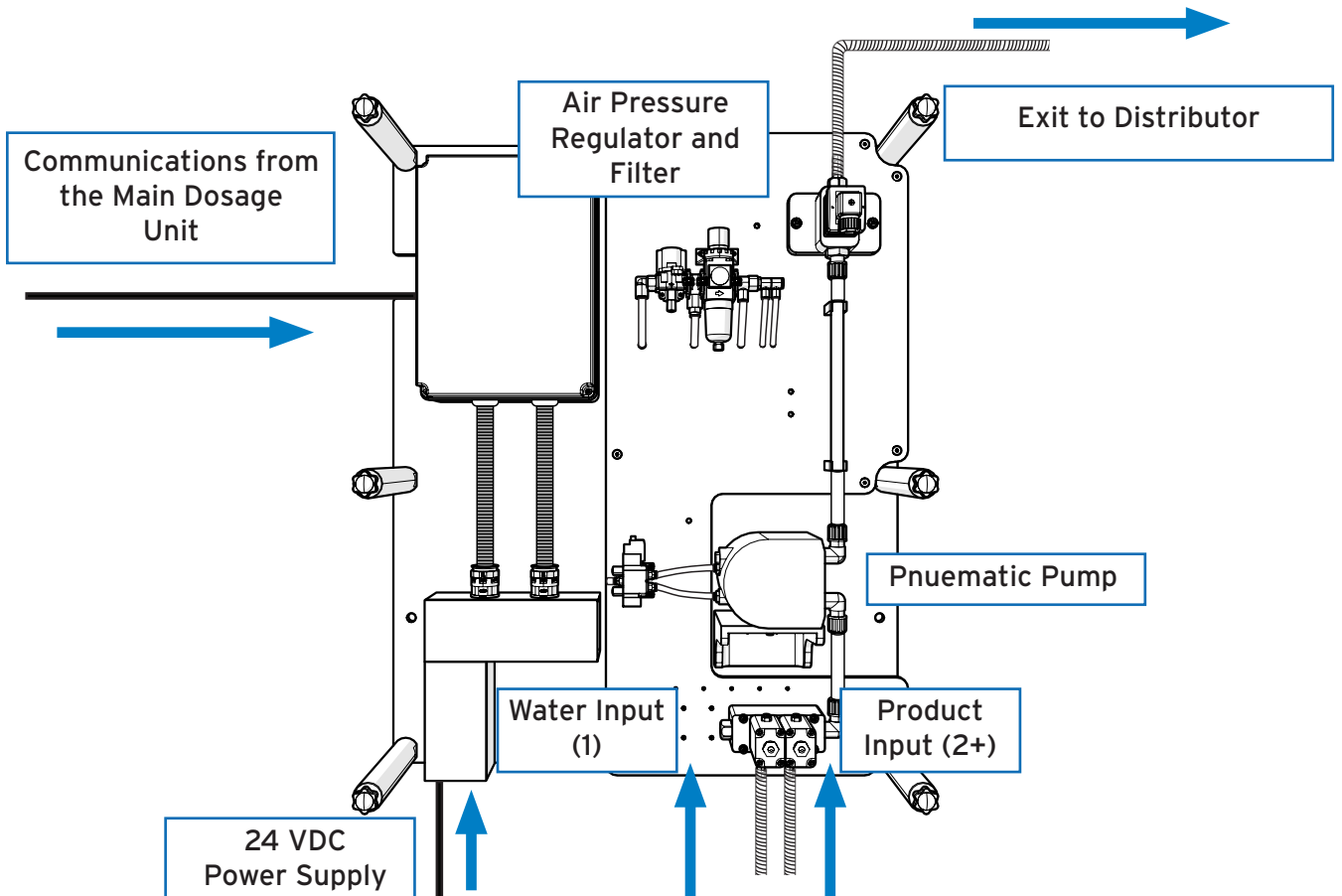


Dimensions

Width	28 inches
Height	33.5 inches
Depth	9 inches

Weight

Unit	41 lbs
------	--------



T (+1) 913-956-4909 E sales@brightwell-inc.com W brightwell-inc.com/

Brightwell Dispensers Inc. 9858 Britton Street, Lenexa, KS, 66219

All information in this data sheet is correct at the time of printing and is subject to change without notice.