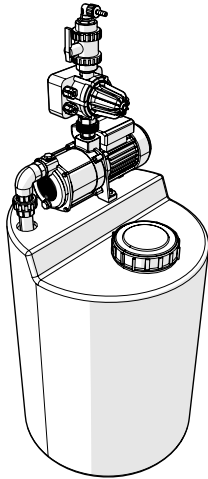




BOOSTER TANK MULTIPLEX ACCESSORY



Description

- Accessory for Multiplex dispensers, specifically designed to ensure a reliable water supply to our industrial laundry dosing equipment.
- Optional but recommended installation whenever the water pressure and supply does not meet the requirements of our dosing equipment.
- Optimised connection and operation with the Multiplex dosing unit, ensuring that the correct water pressure and flow rate are maintained at all times.
- Ensuring an adequate water supply is essential to guarantee the efficiency of the dosing process and optimise wash performance

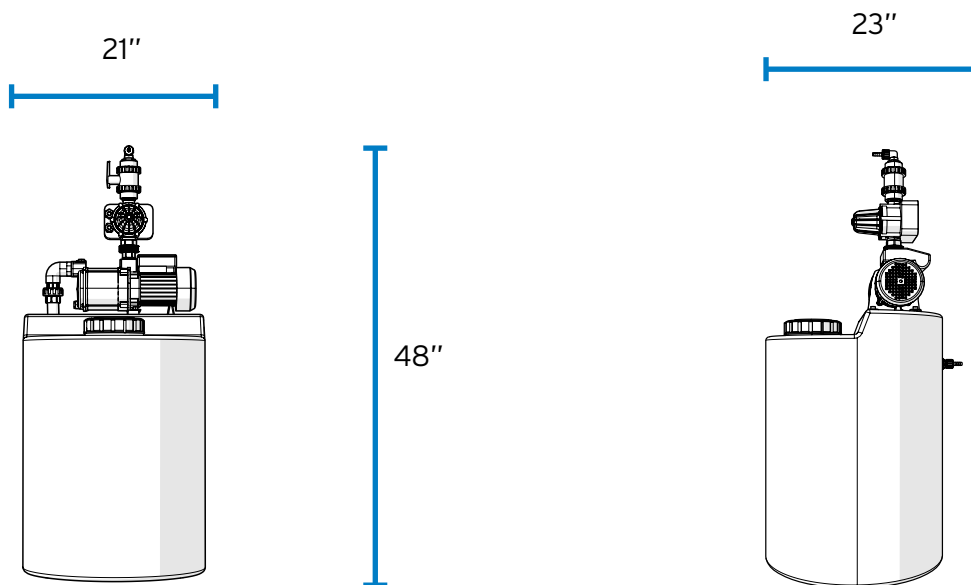
Technical Specifications

	Value
MATERIALS	Tank: Polyethylene Pump: Molten Iron, INOX and EDPM
CONNECTORS	Material: Brass and PVC Connector: 3/8" - Tubing 10mm
TANK CAPACITY	32 gallons
PRESSURE RANGE	(Inlet) 22PSI to 66 PSI (Outlet) - 44 PSI 48 gallons/min (max)
POWER	230 VAC 0.5kW 4A

Details

Part Code	Description	Height	Diameter
A500B130L0.5CV	MULTIPLEX BOOSTER TANK	48"	20"

Diagram



Dimensions (inches)

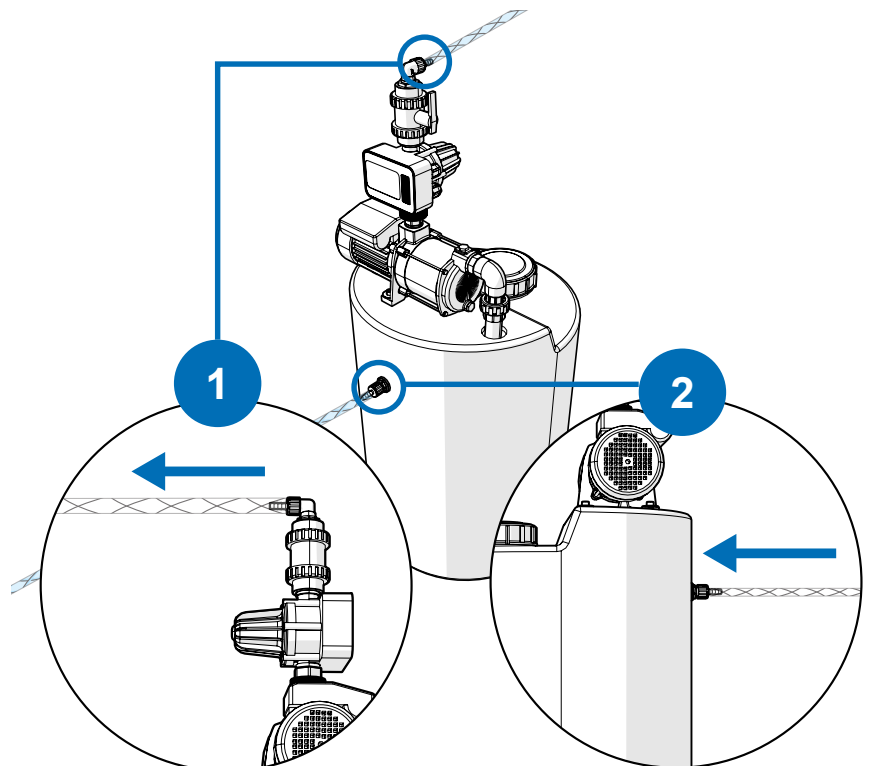
Width	Height	Depth
21	48	23

Weight (No water)

45 lbs (approx)

Connection

- 1 Water Outlet 3/8" (44 PSI)
- 2 Water Inlet 3/8"



T (+1) 913-956-4909 **E** sales@brightwell-inc.com **W** brightwell-inc.com/

Brightwell Dispensers Inc. 9858 Britton Street, Lenexa, KS, 66219

All information in this data sheet is correct at the time of printing and is subject to change without notice.