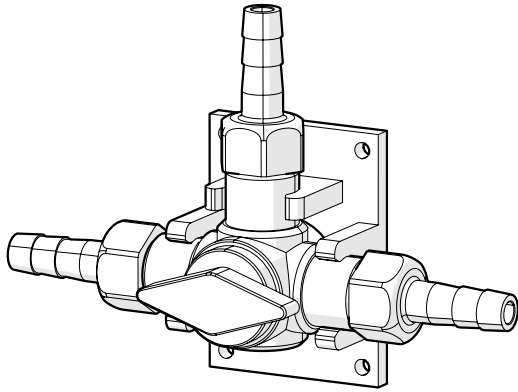




3 WAY VALVE MULTIPLEX ACCESSORY

PRODUCT DATA SHEET



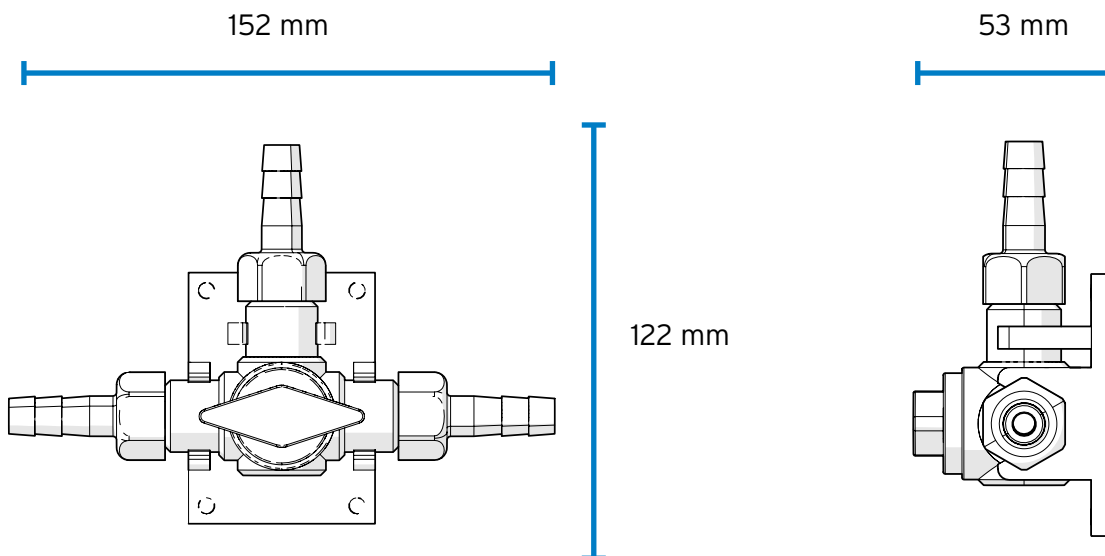
Description

The 3-Way Valve is designed to streamline calibration and maintenance in industrial laundry systems. By splitting the outlet connection, this valve enables effortless switching between different flow paths, allowing for easy access during calibration without disrupting the overall system operation. Engineered for reliability and durability, the valve is ideal for high-demand environments where precision and control are essential.

Technical Specifications

| | Value |
|----------------|-----------|
| MATERIAL | PP |
| CONNECTOR SIZE | 10mm barb |

Diagram



T +44 (0) 1273 513566 **E** sales@brightwell.co.uk **W** brightwell.co.uk

Unit 1, Rich Industrial Estate, Avis Way, Newhaven, East Sussex, BN9 0DU, UK

All information in this data sheet is correct at the time of printing and is subject to change without notice.

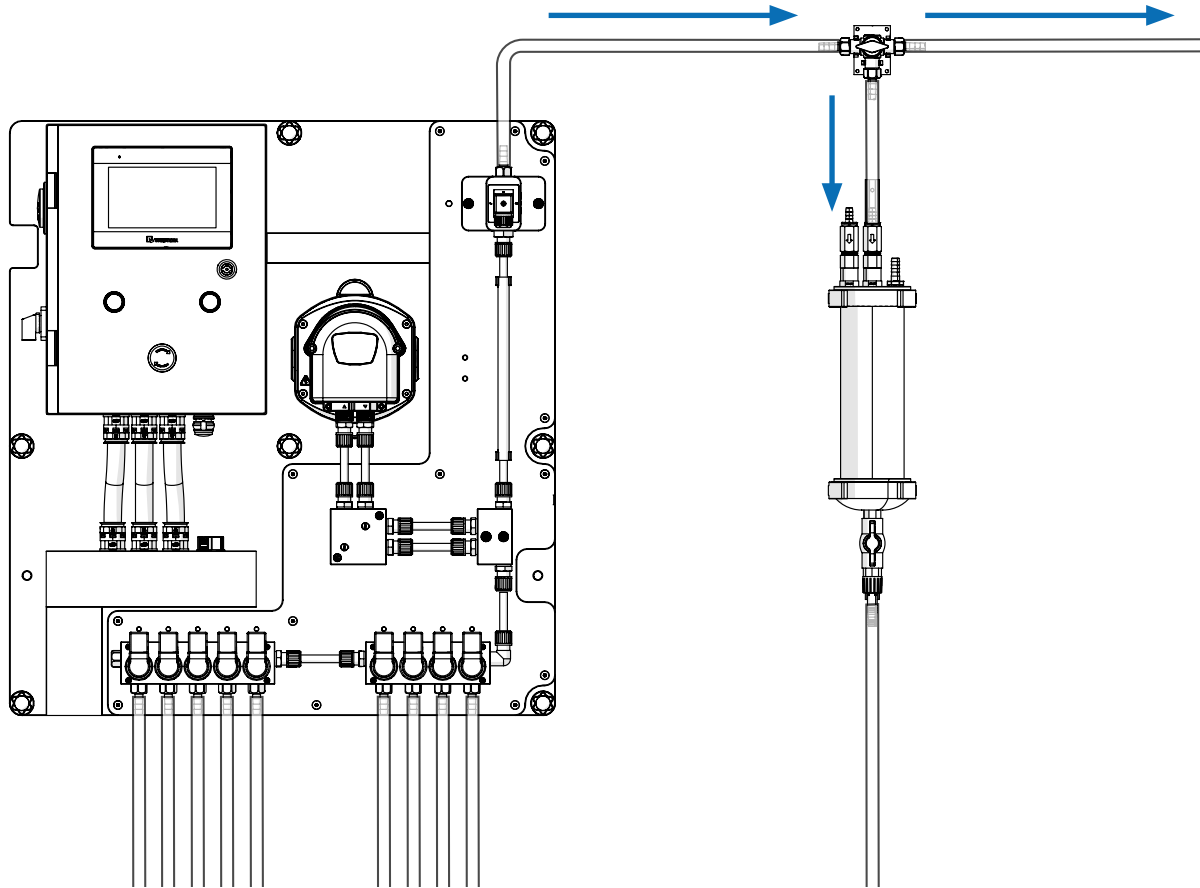
Dimensions (mm)

| Width | Height | Depth |
|-------|--------|-------|
| 152 | 122 | 53 |

Weight

0.5 kg (approx)

Connection



T +44 (0) 1273 513566 **E** sales@brightwell.co.uk **W** brightwell.co.uk

Unit 1, Rich Industrial Estate, Avis Way, Newhaven, East Sussex, BN9 0DU, UK

All information in this data sheet is correct at the time of printing and is subject to change without notice.