



MULTIPLEX 1

INDUSTRIAL LAUNDRY DISPENSING SYSTEM

PRODUCT DATASHEET



Description

Designed to cater to a range of laundry sizes, the Multiplex range serves establishments operating anywhere from 4 to 12 washing machines, with daily production capacities ranging from 1,100 lbs using our Multiplex 1 to 8,800 lbs with our advanced Multiplex 2 Pro. With safety as a top priority, the Multiplex dispensing system incorporates several key features to ensure peace of mind for operators. From rigorous leak and water testing protocols to comprehensive chemical compatibility checks, Multiplex guarantees a secure dispensing routine. Additionally, its innovative design includes continuous channel cleaning with water, effectively minimizing maintenance requirements and ensuring uninterrupted operation.

Technical Specifications

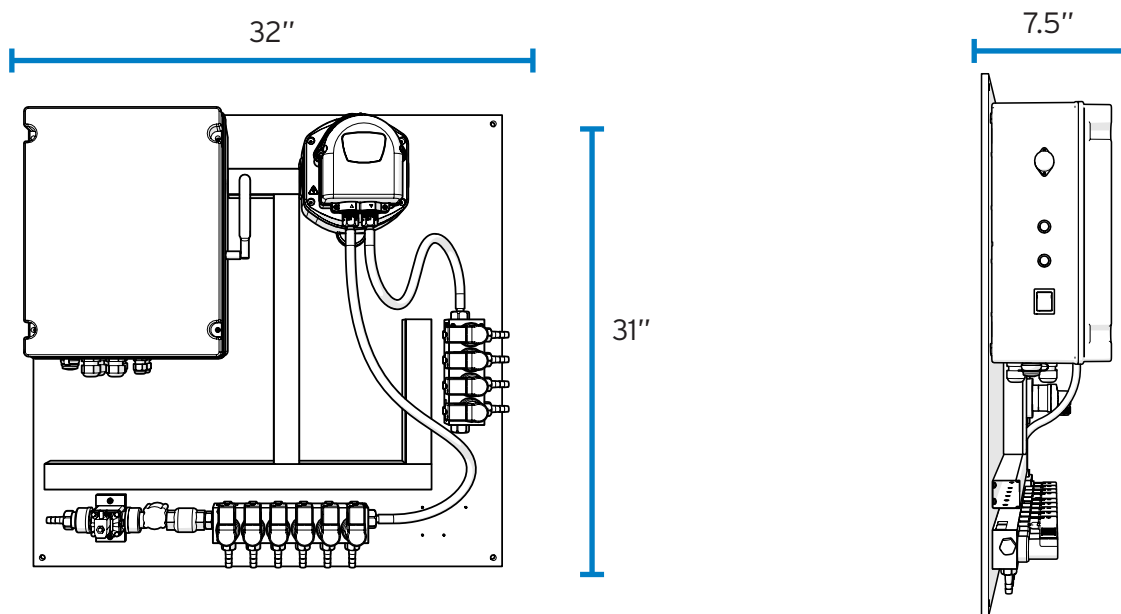
		Value
LAUNDRY	Maximum daily production	2,200 lbs
	Maximum of products	8
UNIT	Maximum number of washing machines	4
	Functions	Configure Real-Time View Reports Password Management
INTERACTION	Interface	Web server (Local) Web Portal
	Voltage / Frequency	110-240 VAC / 50-60Hz
ELECTRICAL PARAMETERS	Power	108W

Technical Specifications

		Value
WATER	Pressure in dynamic regime	Min 22 PSI - Max 44 PSI Regulator recommended
	Flow rate range	Min 68 fl oz/min (Approx) Max 338 fl oz/min (Approx)
	Inlet connection	3/8" barbed connetor
	Maximum temperature	< 86° F
	Recomended hardness	< 8 - 8.5 gpg (grains per gallon)
	Booster tank	Not included. Supplied on request. Recommended.
PANELS	Material	PVC
PUMPS	Number	1 pump per channel. Main channel: electric diaphragm
	Flow rate (with water)	51 fl oz per minute
	Body	PVDF
	Membranes	PTFE
	Non return valves	PVDF/FFKM
PRODUCT/WATER VALVES	Voltage	24VDC
	Body	PP
	Closure piston	PTFE
	O-rings	FFKM
FLOW SENSOR	Standard measuring principle	On/Off flow confirmation only
	Signal	9 VDC PNP
	Body	PVC/PA
	O-rings	NBR
DOSING	Distribution	Integrated distributor
	Outlet barb diameter	3/8"
	Outlet barb material	PVDF
	Built-in tubes	PTFE (Teflon) 3/8" x 1/2" pipe
	Recommended pipes for installation	Reinforced PVC 3/8" x 5/8"
CALIBRATION	Mode	Distributor Valve
	Measuring cup type	Not included * recommend
FORMULAS	Number	200
	Dose units	g/kg fl oz/cw
	Maximum number of doses per phase	6

		Value
STATISTICS	Data	Cloud synchronization
		Onboard storage
		Production in load and cycles
	Information	Consumption and product cost
		OEE
REMOTE ACCESS	Availability	Alarms
		Data always available on the web portal and the possibility to make changes at any time, with instant synchronization
	Router *Internet access	Not included in the equipment

Diagram



Dimensions

Width	32 inches
Height	31 inches
Depth	7.5 inches

Weight

Unit	41 lbs
------	--------

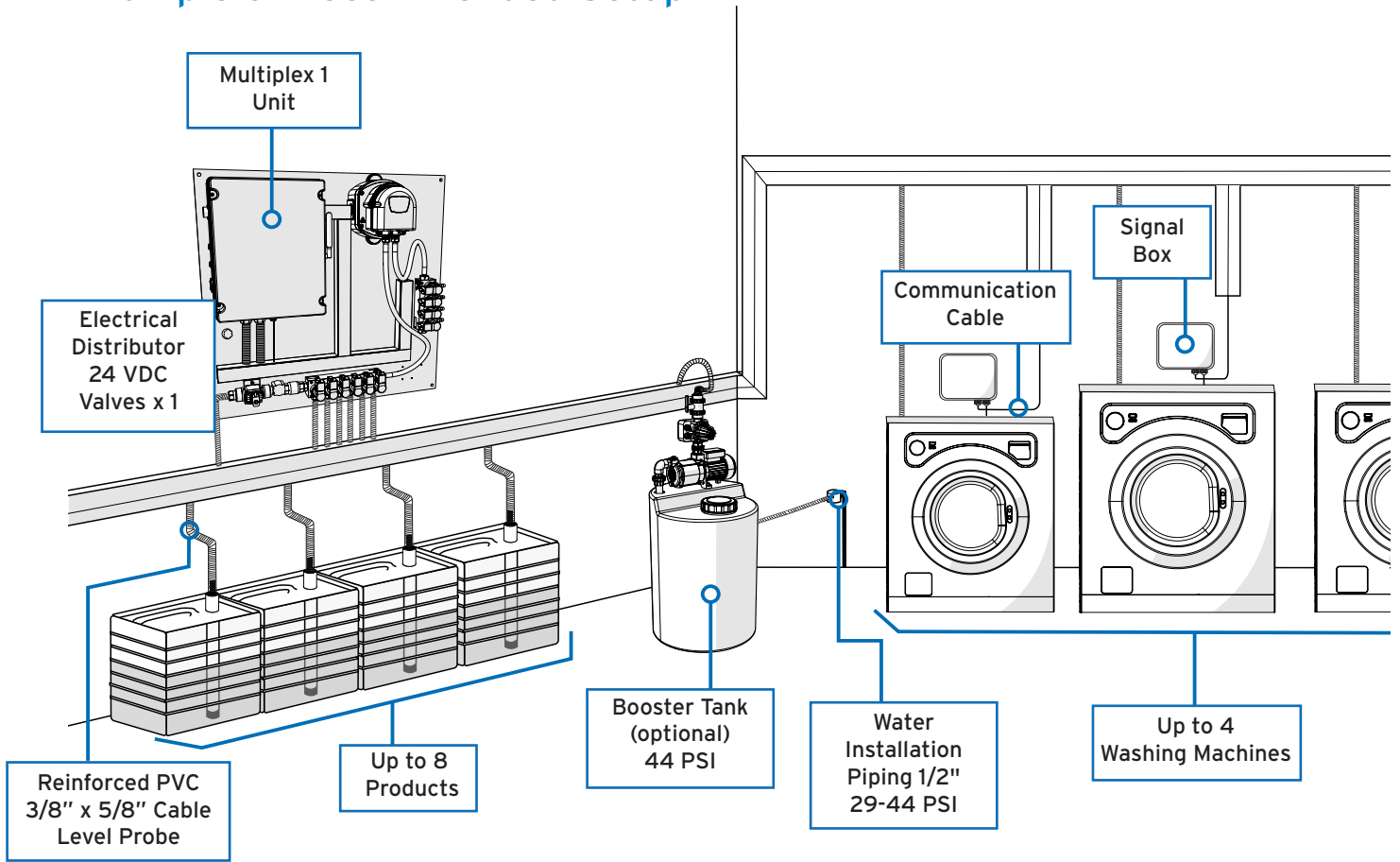
T (+1) 913-956-4909 **E** sales@brightwell-inc.com **W** brightwell-inc.com/

Brightwell Dispensers Inc. 9858 Britton Street, Lenexa, KS, 66219

All information in this data sheet is correct at the time of printing and is subject to change without notice.

Revision 11
05/2024
BIO75US

Example of Recommended Setup



T (+1) 913-956-4909 E sales@brightwell-inc.com W brightwell-inc.com/

Brightwell Dispensers Inc. 9858 Britton Street, Lenexa, KS, 66219

All information in this data sheet is correct at the time of printing and is subject to change without notice.